

W35

Multi-functional electromechanical thermostat



SPDT multi-functional thermostat

- Various models available
- Wide operating temperature range
- Integrated or remote sensor



SPDT multi-functional thermostat

The thermostat automatically opens (hot version) or closes (cold version) the main contact when the remote bulb sensor reaches the set value. Subsequently, when the temperature lowers by the differential value, the contact re-closes (hot version) or re-opens (cold version). The controlled temperature is thus kept within a minimum fluctuation range.

Technical Data

- Capacity: C-1 15(3)A @ 400VAC
C-2 2.5(0.6)A @ 400VAC
- Life cycle: 100,000 cycles
- Insulation resistance: >100Mohm
- Max temperature: 90°C (body)
+15% switching load (bulb)
- Calibration range: from -35°C to + 320°C
- Dielectric strength: AC 2000V 1 min
- Connections: FASTON 6.3x0.8
- Standards: ENEC03
- Protection class: IP40
- Available with either integrated or remote sensor

Applications

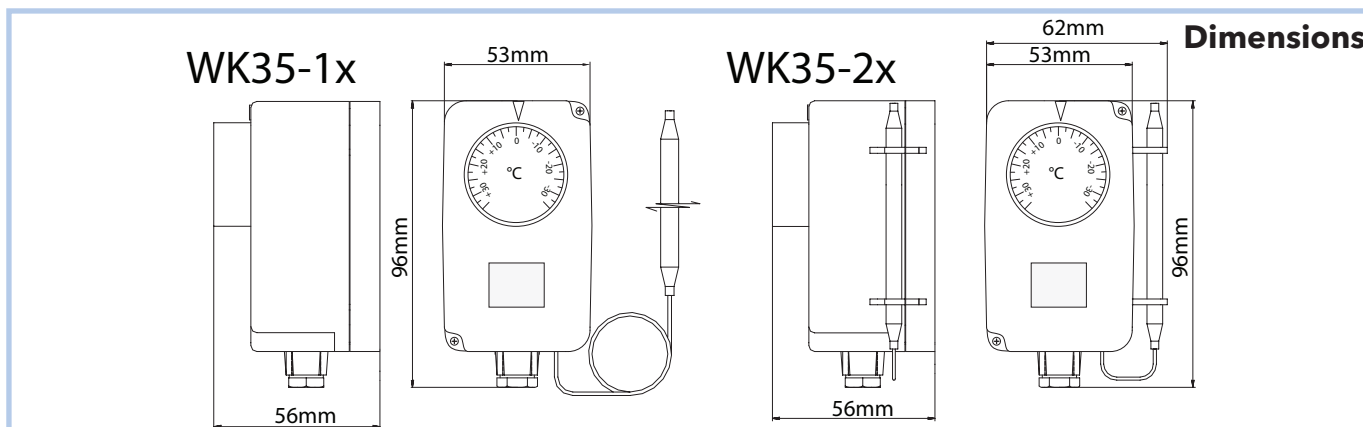
- Cold rooms
- Saunas
- Greenhouses
- Industrial environments
- Air-conditioning
- Boilers
- All applications requiring an independently connectable temperature control system



Models

Code	bulb	capillary*	range
W35-1000150000	Ø6.5x98mm	1500mm	-35 ... +35°C
W35-1001150000	Ø6.5x98mm	1500mm	0 ... +90°C
W35-1003150000	Ø6.5x98mm	1500mm	0 ... +120°C
W35-2000000000	Ø7.0x98mm	-	-35 ... +35°C
W35-2008000000	Ø7.0x98mm	-	0 ... +55°C

*other lengths available on request



Dimensions

ELIWELL CONTROLS srl

Via dell' Industria, 15 Z.I. Paludi
32010 Pieve d' Alpago (BL)
- ITALY -
Telephone +39 0437 986 111
Fax +39 0437 989 066

www.eliwell.com

Sales:

+39 0437 986 100 (Italy)
+39 0437 986 200 (other countries)
saleseliwell@invensys.com

Technical Support:

+39 0437 986 300
email techsuppeliwell@invensys.com

ISO 9001



CT123018 - W35 • GB • rel 09/10

© Eliwell Controls s.r.l. 2010 All rights reserved.