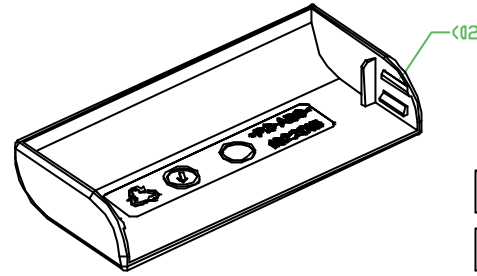
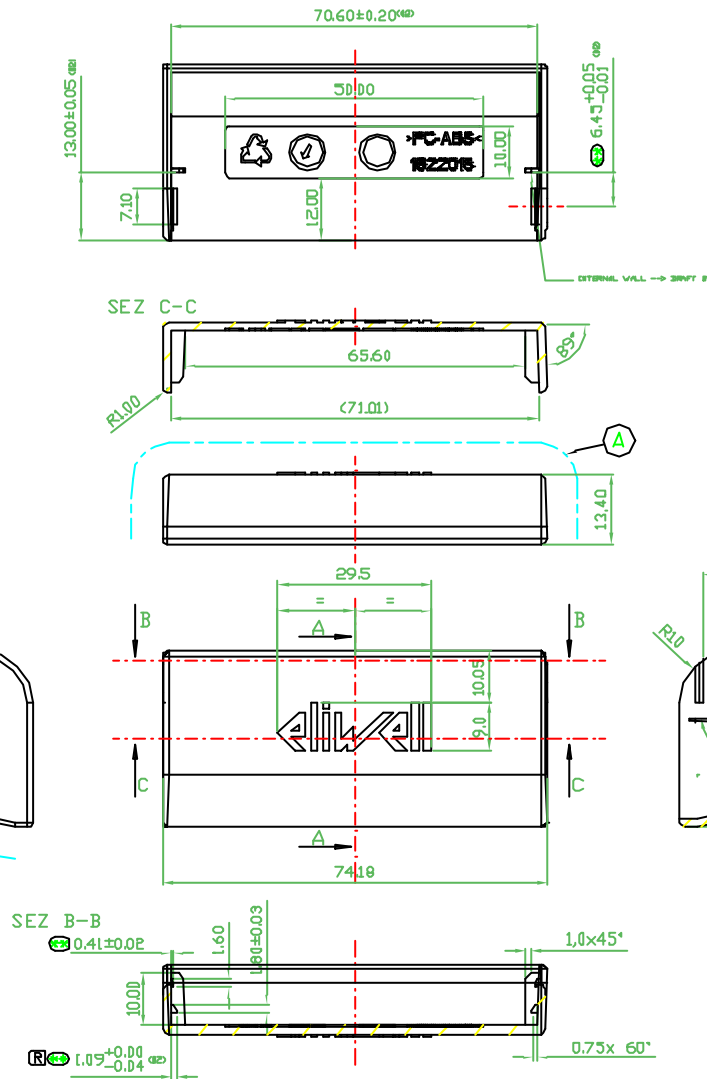
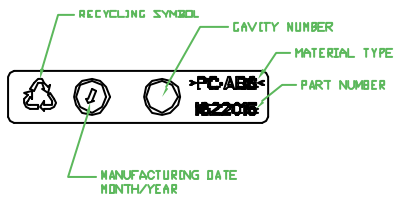


This document and its contents are  
 the sole property of ELIWELL.  
 Not to be reproduced or conveyed to  
 outside parties without our written authorization.

A3



TIPYCAL DRAFT: 1°

TIPYCAL THICKNESS 1.6 mm

FINISH ON VISIBLE SURFACES  
27 VDI

NO WARPAGES, FLASHES, SINK  
MARKS AND CRACKS ALLOWED

FOR GATE LOCATION REFER  
TO INVENSYS TECHNICAL DEP.

\*\*\* CHECK THE MARKED DIMENSIONS  
DURING MANUFACTURING

A NO DEFECTS ON VISIBLE SURFACES

NO BURRS ALLOWED

FOR ALL UNSPECIFIED DIMENSIONS  
REFER TO 3D MODEL

02 Introduced ribs (better assembly) and update tolerances		02	M.F.	03/07/09
REV. MODIFICATIONS		REV.	SIG.	DATE
- - - - - NO DEFECTS ON VISIBLE SURFACE		UNDIMENSIONED RADII	UNDIMENSIONED DRAFTS	Ⓡ DIMENSION TO ADJUST AFTER THE SAMPLING
MATERIAL (PC+ABS) BAYER BAYBLEND FR110 ( OR E.S. APPROVED ) COLOR: GREY 765 BAYER SERIES		REPLACES		
MECH. CHK.	TREATMENT	WEIGHT	NO. PIECES	REPLACED BY
			1	
DNV. Fagherazzi	CHK.	APV.	GENERAL TOLERANCES	SCALE 1:1 (4:1, 1:2)
23 March 09			ISO 2768-m	
Piave d'Alpago Belluno ITALY		PRODUCT	DESCRIPTION	
		MK2	REAR PROTECTION	
		PART NO.	SHEET	
		1622015	1-1	