



FASEC 53

manual speed controller

WHAT IT IS

FASEC 53 is designed for speed control and is particularly suitable for fan applications.

HOW IT IS MADE

- **Size:** front panel 48x96 mm, depth 96 mm (excluding socket)
- **Mounting:** panel mount on hole 45x92 mm
- **Connections:** Octal socket
- **Regulation:** by knob on the frontside
- **Regulation output:** 2.5 A TRIAC, 7 A TRIAC
- **Filter external (in version 7 A):** maximum current for load supply 7 A; cylinder size \varnothing 38 mm, height 28 mm; fixing bolt M8
- **Regulation type:** phase choking proportional
- **Power supply:** 230 V~, 50 Hz.

GENERAL DESCRIPTION

FASEC 53 is designed for speed control and is particularly suitable for fan applications.

The standard version provides a triac output to control a load up to 2.5 A, while a special version ensures control up to 7 A. The latter version contemplates the use of an LC filter fitted outside the instrument. Such filter is necessary to reduce conducted emissions and radio frequency due to the type of regulation.

On its frontside a regulation knob is available to change the speed within the range 0...100% with the possibility to set a minimum value.

Another special model is available to control speed in ZHIEL motors.

MECHANICAL MOUNT

The instrument is designed for panel mount. Drill a 45x92 mm hole and insert the instrument holding it with the special brackets supplied.

The operating temperature range allowed

for correct operation is from -5 to 65 °C. Do not install the instrument in moist and/or dirty places or near heat sources. The external filter (for the version with 7 A capacity) is provided with a bolt for fixing.

ALLOWED USE

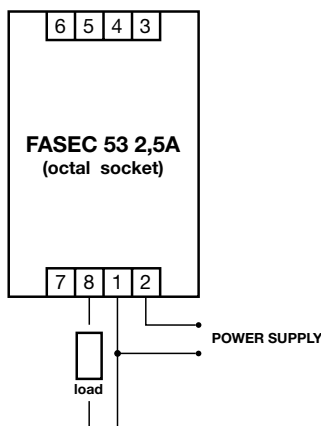
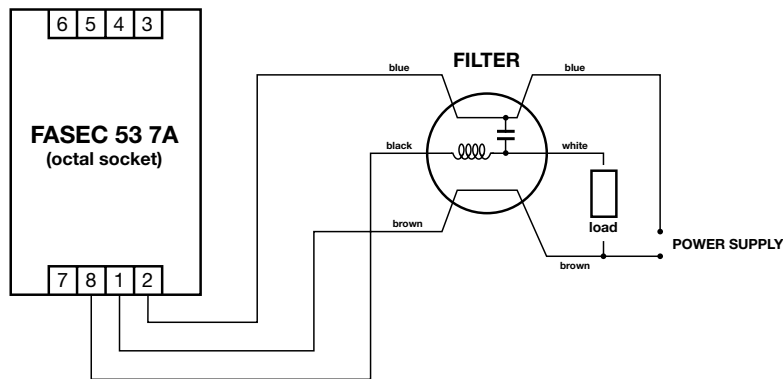
For your safety, FASEC 53 should be installed and used according to the given instructions and, especially, no components subject to dangerous voltage must be accessible under normal conditions: the only accessible part must be the front of the instrument.

This device should be adequately protected from water and dust considering its application. Its rear side should only be accessible by using a tool.

Work on electrical connections always with the machine turned off.

FASEC 53 is suitable to be incorporated in household appliances and/or the like, and it has been tested -as regards its safety- to the reference European Harmonised Standards.





It is rated:

- according to its construction, as an automatic, electronic control device to be incorporated, independently installable
- according to its automatic operation features, as a 1Y-type acting control device

FORBIDDEN USE

Any use different from the allowed one is, as a matter of fact, forbidden. We remind you that the effected regulation has a functional value, and it is subject to failure: any protective device provided for by the regulations concerning this product

or suggested by common sense due to evident safety reasons, must be carried out outside the instrument.

LIABILITY AND RESIDUAL RISKS

- Invensys Controls Italy s.r.l. is not liable for any damages caused by:
- installing or using this instrument in a different way than it was designed for, and in particular, without complying with the safety prescriptions provided for by regulations and/or hereby stated;
 - using it on equipment which does not ensure an adequate protection from electrical shock, water or dust considering the way it has been installed;
 - using it on equipment which allows accessing dangerous components without using any tools;
 - tampering with the product or altering it;
 - using it on equipment which does not comply with legal provisions and regulations in force.

TECHNICAL DATA

- Housing:** plastic, self-extinguishing (NO-RYL).
- Size:** front panel 48x96 mm, depth 96 mm (excluding socket).
- Mounting:** panel mount on hole 45x92 mm.

- Connections:** Octal socket.
- Operating temperature:** -5...65 °C; (23...149 °F).
- Storage temperature:** -30...75 °C; (-22...167 °F).
- Regulation:** 0...100%, by regulation knob on the frontside.
- Regulation output:** 2.5 A TRIAC, 7 A TRI-AC.
- Filter external** (in version 7 A): maximum current for load supply 7 A; cylinder size Ø 38 mm, height 28 mm; fixing bolt M8.
- Regulation type:** phase choking proportional.
- Power supply:** 230 V~ ±10%; 50 Hz.

DISCLAIMER

This manual and its contents remain the sole property of Invensys Controls Italy s.r.l., and shall not be reproduced or distributed without authorization. Although great care has been exercised in the preparation of this document, Invensys Controls Italy s.r.l., its employees or its vendors, cannot accept any liability whatsoever connected with its use. Invensys Controls Italy s.r.l. reserves the right to make any changes or improvements without prior notice.



Invensys Controls Italy s.r.l
 via dell'Industria, 15 Zona Industriale Paludi
 32010 Pieve d'Alpago (BL) ITALY
 Telephone +39 0437 986111
 Facsimile +39 0437 989066
 Internet <http://www.climate-eu.invensys.com>

3/2002 ing
cod. 9IS41008