

ECPlus

Remote display 48x28,6 for EWPlus controllers for refrigerated cabinets.

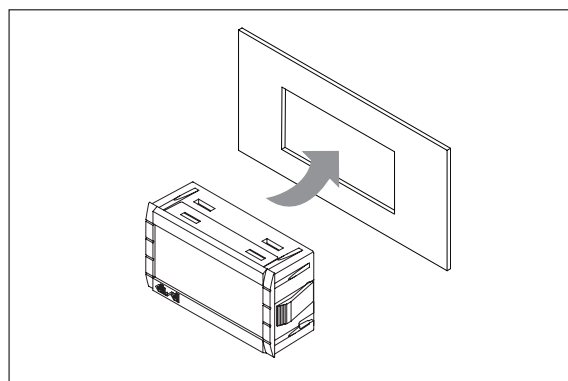
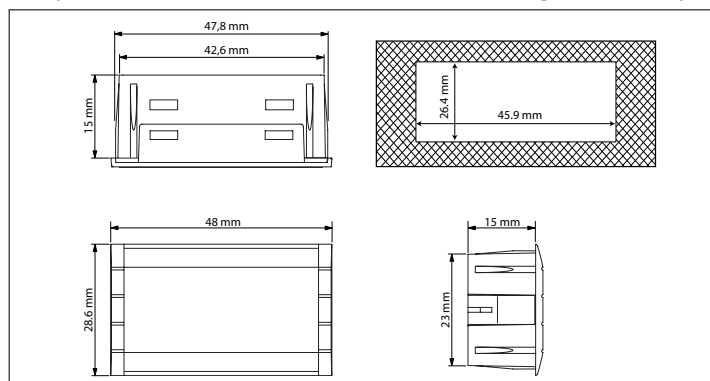


DISPLAY	TECHNICAL SPECIFICATIONS	
<p>NOTE: Icons are NOT used.</p>	Mounting:	panel mounting with 45,9x26,4 mm (+0.2/-0.1 mm) drilling template.
	Power supply:	from EWPlus
	Casing:	polycarbonate casing and window
	Dimensions:	front panel 48x28,6 mm, depth 15 mm
	Connectors:	JST for connection to KDEPlus user terminal
	Humidity:	Usage / Storage: 10...90 % RH (non-condensing)
<p>NOTE: For all technical and normative information not indicated in this section, refer to the "Technical Specifications" section of the documents relating to the power board to which the product is connected.</p>		

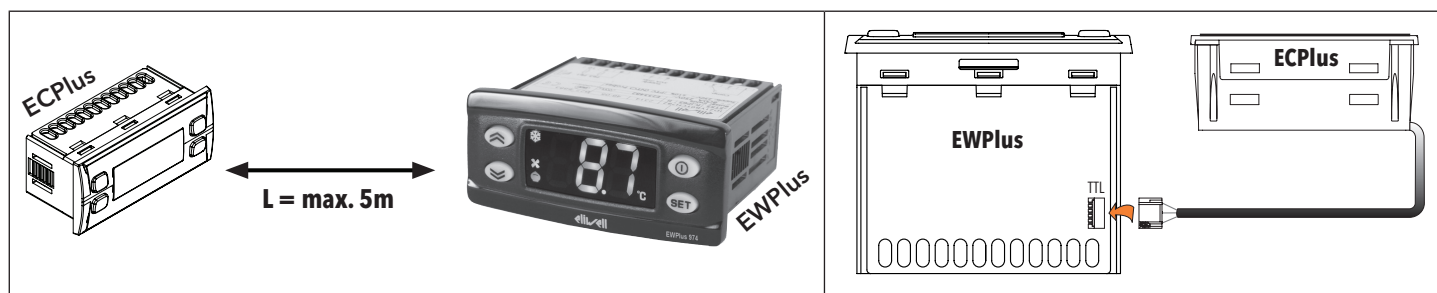
MECHANICAL INSTALLATION

The device is designed for panel mounting. Drill a 45,9x26,4 mm hole and insert the instrument; secure it with the special brackets provided. Do not install the device in places subject to high humidity and/or dirt; it is intended for use in sites with ordinary or normal levels of pollution.

Keep the area around the instrument cooling slots adequately ventilated.



ECPLUS + EWPLUS CONNECTIONS



Eliwell Controls s.r.l.

Via dell'Industria, 15 • Z.I. Paludi
32010 Pieve d'Alpago (BL) - ITALY
Telephone: +39 0437 986 111
Facsimile: +39 0437 989 066

www.eliwell.com

Technical Customer Support:

Technical helpline: +39 0437 986 300
E-mail: techsuppeliwell@invensys.com

Sales:

Telephone: +39 0437 986 100 (Italy)
+39 0437 986 200 (other countries)
E-mail: saleseliwell@invensys.com



cod. 9IS24264-1 - ECPlus x EWPlus - rel.06/12 - EN -
© Eliwell Controls s.r.l. 2012 - All rights reserved.