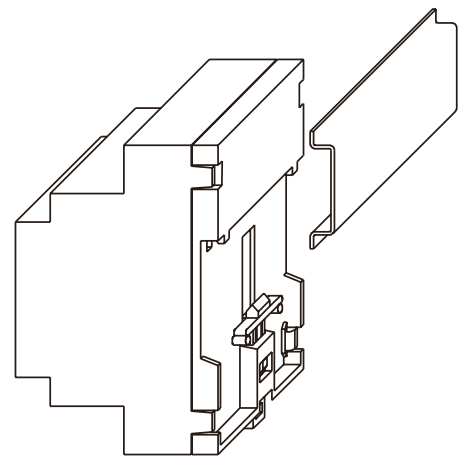
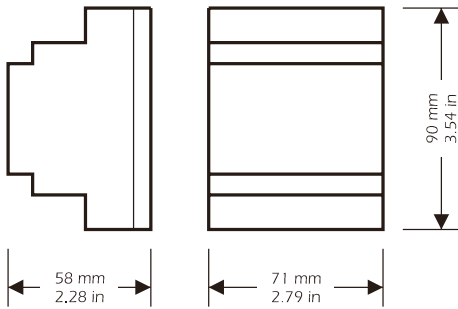


INSTALLATION

On DIN rail guide (not supplied)



TECHNICAL DATA

Box: self-extinguishing grey.
 Size: 71x90x58 mm (2.79x3.54x2.28"), 4 DIN modules.
 Installation: on DIN rail (not supplied).
 Frontal protection: IP40.
 Connections: extractable terminal blocks with pitch 5 mm (0.28") for cables up to 2.5 mm² (0.38") (inputs and recorder) and with pitch 10 mm (0.39") for cables up to 2.5 mm² (0.38") (power supply).
 Ambient temperature: from 0 to 55 °C (32 to 131 °F),
 Ambient relative humidity (non condensing): 10...90%.
 Power supply: 110-240 Va, 50/60 Hz (standard model) or 12-24 V~/-, 50/60 Hz (by request); the maximum power consumption is 2 W.
 Measure inputs: 4 configurables, using the data recorder Printwell 1200, for PTC or NTC probes, "J" or "K" thermocouples, 2 wires Pt 100 probes, 4-20 mA current transducers.
 At terminal 8 there are 12 V~ you can use in order to supply the transducers.

ELECTRICAL CONNECTION

See figure below.

NOTE 1: For thermocouples and current inputs provide an electrically separated supply for each instrument; moreover for thermocouples it is suggested to use an insulated junction.
NOTE 2: connect the probes in succession (for example, using 3 probes connect probe 1 and 2 using the data recorder Printwell 1200 and connect probe 3 to the expansion module).

CONDITIONS OF USE

For safety reasons the printing device must be installed and used according to the instruction provided.
 The device must be adequately protected from water and dust as per the application.
 The device is ideally suited for use on household appliances and/or similar.
 It is classified as follows:
 • according to its manufacture: as an automatic electronic device to be incorporated by independent mounting;
 • as a Class A device in relation to the category and structure of the software.
 Any other use other than that permitted is de facto prohibited.

LIABILITY AND RESIDUAL RISKS

Invensys Controls Italy S.r.L. shall not be liable for any damages deriving from:
 - installation/use other than that prescribed and, in particular, that which does not comply with safety standards anticipated by regulations and/or those given herein;
 • use on boards which do not guarantee adequate protection against electric shock, water or dust under the conditions of assembly applied;
 • use on boards which allow access to dangerous parts without the use of tools;
 • tampering with and/or alteration of the products;
 • installation/use on boards not complying with the standards and provisions of current legislation.

DISCLAIMER

This publication is the exclusive property of Invensys Controls Italy S.r.L. who absolutely prohibits its reproduction and distribution unless expressly authorised by Invensys Controls Italy S.r.L. Although great care has been taken with regard to the preparation of this document, Invensys Controls Italy S.r.L. does not assume any responsibility whatsoever in relation to its use. The same applies to every individual and company involved in creating and drawing up this manual. Invensys Controls Italy S.r.L. reserves the right to make any amendment, esthetical or functional, without giving prior notice and at any time.



Invensys Controls Italy s.r.l.
 via dell'Industria, 15 Zona Industriale Paludi
 32010 Pieve d'Alpago (BL) ITALY
 Telephone +39 0437 986111
 Facsimile +39 0437 989066
 Internet <http://www.climate-eu.invensys.com>

7/2003 eng
 cod. appendix a 9IS22056

CONNECTIONS

