

- (1): Common contact
- (1)-(5): Open on temperature rise
- (1)-(3): Open on temperature drop

see next page for available connection variants and accessories

Specifications

- 1.Type: Auto reset
- 2.Differential: Adjustable
- 3.Configuration: Single
- 4.Contact configuration: SPDT
- 5.Rated current: 1-3 (or 1-5): 16(16)A 240Vac
1-5 (or 1-3): 1(1)A 240Vac
- 6.Degree of protection: IP44 with top cover
IP20 without top cover
- 7.Method of mounting control: Independently mounted
- 8.Ambient working temperature: -40T65 °C
- 9.Intended transportation conditions: -40T65 °C, 10-90%RH (non condensing situation)

Model	TEMPERATURE RANGE [°C]	DIFF RANGE [°C]	FACTORY SETTING				Use terminals	Sensor type
			CUT IN [°C]	CUT OUT [°C]	DIFF. [°C]			
D16T25AAA0S200	-10...+25	5...10	3±1.2	-2±1.2	5±1.2	1-3	Ambient	
D16T25AAC2S200	-10...+25	5...10	3±1.2	-2±1.2	5±1.2	1-3	2m capillary	
D16T25AAC3S200	-10...+25	5...10	3±1.2	-2±1.2	5±1.2	1-3	3m capillary	
D16T25AAT2S200	-10...+25	5...10	3±1.2	-2±1.2	5±1.2	1-3	2m coiled end	
D16T25AAB2S200	-10...+25	5...10	3±1.2	-2±1.2	5±1.2	1-3	2m bulb	

 Elliwell Controls srl IT 32016 Alajolo	D16T25AAXXS200 D16T Temperature control auto- reset (XXXX) D16T Tepmocratıyı auto cıþoc (XXXX)	TA-40T65°C Range: -10...25°C Nominal Diff: 5...10°C (adj) Read instruction sheet before use	CE ENEC 15 20 RN-(YYMMDD-SSSSS) Made in China
	Product traceability, date and serial number		

D16T Temperature control auto- reset (XXXX)
D16T Tepmocratıyı auto cıþoc (XXXX)

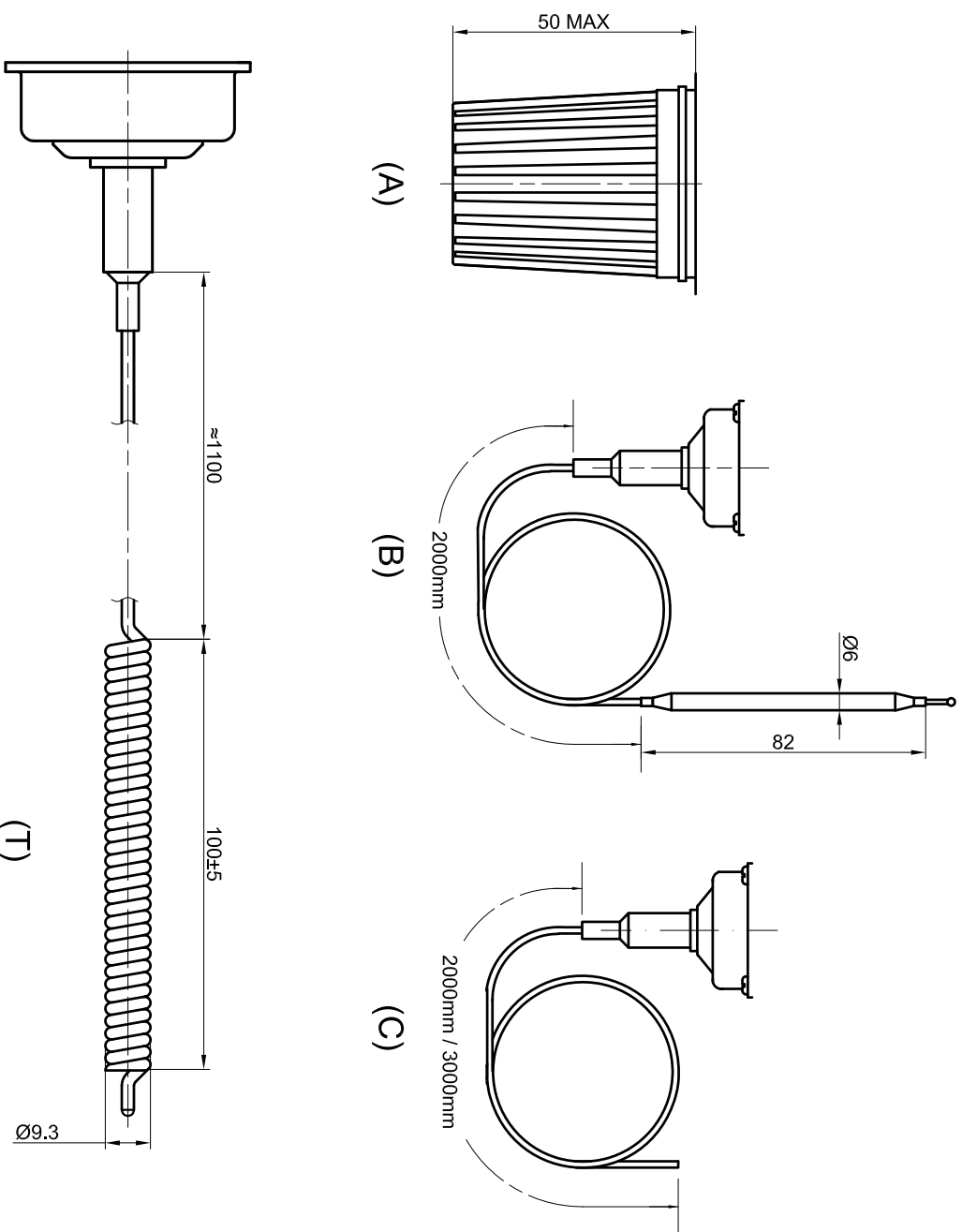
Revision History			Date	Signature	Date
Curr Prev	Note				

Adjustable Temperature Controls

Product code structure

Available pressure connections

- Type
 - D Case size
 - 16 Case 80mm
- Product type
 - T Temperature control
- Temperature range
 - 25 -10...25 °C
- Reset type / differential
 - AA Auto reset / adjustable differential
- Sensor type
 - A Ambient
 - B Bulb
 - C Straight capillary
 - T Coiled end
- Capillary length
 - 0 Ambient
 - 2 2m
 - 3 3m
- Pin contact configuration
 - S Standard AgNI
- Kit and packaging
 - 2 topcover + knob + instruction sheet
- Customization
 - 00 standard model



Revision History

Curr Prev	Note	Signature	Date

Adjustable Temperature Controls

D16T25AAXXS200		Weight	Ratio
Page 2	Total Pages 2	1:1(A3)	
		by Schneider Electric	