

- (1): Common contact
- (1)-(5): Open on temperature rise
- (1)-(3): Open on temperature drop

see next page for available connection variants and accessories

Specifications

1. Type: Manual reset
2. Differential: Fixed
3. Configuration: Single
4. Contact configuration: SPDT
5. Rated current: 1-3 (or 1-5): 16(16)A 240Vac
1-5 (or 1-3): 1(1)A 240Vac
6. Degree of protection: IP30 with top cover
IP20 without top cover
7. Method of mounting control: Independently mounted
8. Ambient working temperature: -40T65 °C
9. Intended transportation conditions: -40T65 °C, 10-90%RH (non condensing situation)

FACTORY SETTING

Model	TEMPERATURE RANGE [°C]	DIFF. RANGE [°C]	CUT IN [°C]	CUT OUT [°C]	DIFF. [°C]	Use terminals	Sensor type
D16T15MFC2S200	-20...+15	≥2	5±1.2	≤3	≥2	1-3	2m capillary
D16T15MFC3S200	-20...+15	≥2	5±1.2	≤3	≥2	1-3	3m capillary
D16T15MFC6S200	-20...+15	≥2	5±1.2	≤3	≥2	1-3	6m capillary
D16T15MFC1S200	-20...+15	≥2	5±1.2	≤3	≥2	1-3	12m capillary
D16T15MFT2S200	-20...+15	≥2	5±1.2	≤3	≥2	1-3	2m coiled end

Eiwel Controls srl IT 32016 Alipago D16T Temperature control manual- reset D16T Термостат ручной сброс	D16T15MFCXXS200 RNL YYMMDD-SSSSS Made in China	TA: -40T65 °C Range: -20... 15 °C Nominal Diff: 2±1.2 °C Read Instruction sheet before use	 1-3 (or 1-5): 16(16)A 240Vac 1-5 (or 1-3): 1(1)A 240Vac

D16T Temperature control manual- reset
D16T Термостат ручной сброс

Product traceability,
date and serial number

Revision History

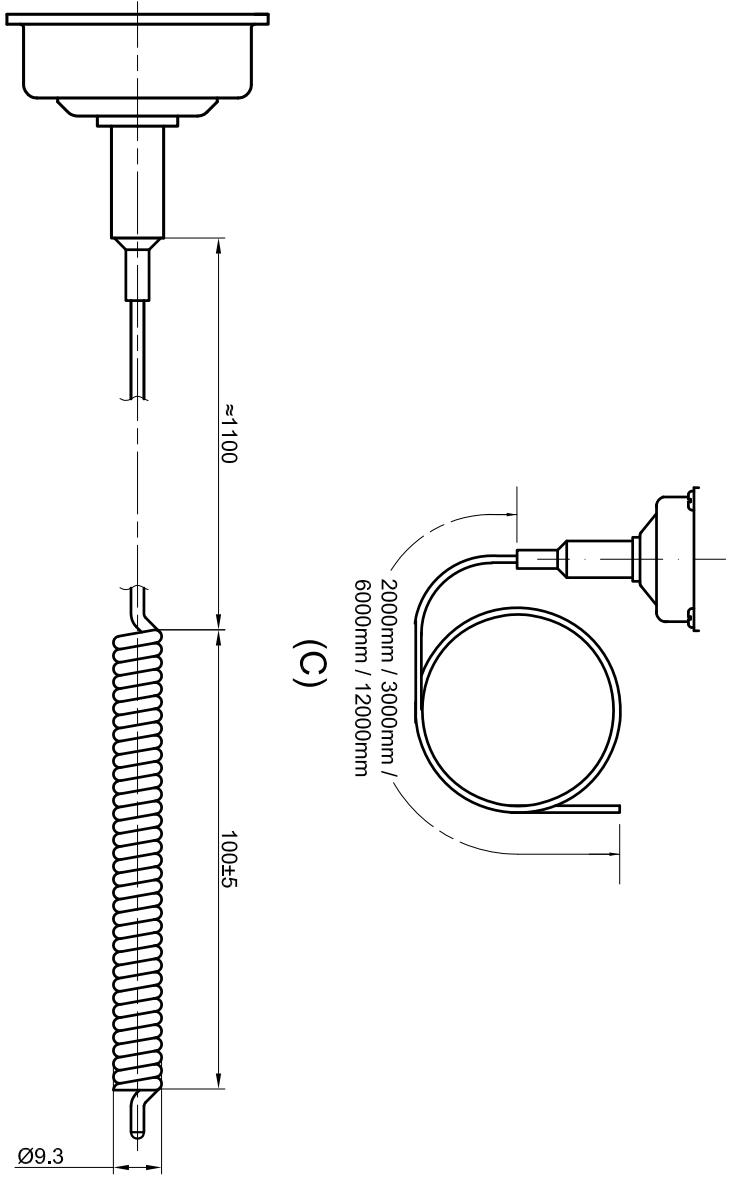
Cur Prev	Note	Signature	Date

Fixed Temperature Controls

Product code structure

Available pressure connections

- Type**
- D**
- Case size**
- 16 Case 80mm
- Product type**
- T** Temperature control
- Temperature range
- 15 -20...15 °C
- Reset type / differential**
- MF** Manual reset / fixed differential
- Sensor type**
- C** Straight capillary
- T** Coiled end
- Capillary length**
- 2 2m
- 3 3m
- 6 6m
- 1 12m
- Pin contact configuration**
- S** Standard AgNi
- Kit and packaging**
- 2 topcover + knob + instruction sheet
- Customization**
- 00 standard model



Revision History				Fixed Temperature Controls	D16T15MFxxSS200																								
Curr Prev	Note	Signature	Date																										
				<table border="1"> <tr> <th>Weight</th> <th>Ratio</th> </tr> <tr> <td> </td> <td>1:1(A3)</td> </tr> </table>	Weight	Ratio		1:1(A3)	<table border="1"> <tr> <th>Date</th> </tr> <tr> <td> </td> </tr> </table>	Date		<table border="1"> <tr> <td> </td> <td> </td> <td rowspan="2">Total Pages 2</td> </tr> <tr> <td> </td> <td> </td> </tr> <tr> <td>Designer</td> <td> </td> <td rowspan="3"> <table border="1"> <tr> <td> </td> <td> </td> </tr> <tr> <td>Checked</td> <td> </td> </tr> <tr> <td>Verified</td> <td> </td> </tr> </table> </td> </tr> <tr> <td>Approved</td> <td> </td> <td> </td> </tr> </table>			Total Pages 2			Designer		<table border="1"> <tr> <td> </td> <td> </td> </tr> <tr> <td>Checked</td> <td> </td> </tr> <tr> <td>Verified</td> <td> </td> </tr> </table>			Checked		Verified		Approved		
Weight	Ratio																												
	1:1(A3)																												
Date																													
		Total Pages 2																											
Designer		<table border="1"> <tr> <td> </td> <td> </td> </tr> <tr> <td>Checked</td> <td> </td> </tr> <tr> <td>Verified</td> <td> </td> </tr> </table>			Checked		Verified																						
Checked																													
Verified																													
Approved																													