

- (1): Common contact
- (1)-(5): Open on temperature rise
- (1)-(3): Open on temperature drop

see next page for available connection variants and accessories

**Specifications**

1. Type: Auto reset
2. Differential: Adjustable
3. Configuration: Single
4. Contact configuration: SPDT
5. Rated current: 1-3 (or 1-5); 16(16)A 240Vac  
1-5 (or 1-3): 1(1)A 240Vac
6. Degree of protection: IP20 with top cover  
IP20 without top cover
7. Method of mounting control: Independently mounted
8. Ambient working temperature: -40T65 °C
9. Intended transportation conditions: -40T65 °C, 10-90%RH (non condensing situation)

**FACTORY SETTING**

| Model          | TEMPERATURE RANGE [°C] | DIFF. RANGE [°C] | CUT IN [°C] | CUT OUT [°C] | DIFF. [°C] | Use terminals | Sensor type   |
|----------------|------------------------|------------------|-------------|--------------|------------|---------------|---------------|
| D16T15AAC2S200 | -20...+15              | 2...10           | 5±1.2       | 3±1.2        | 2±1.2      | 1-3           | 2m capillary  |
| D16T15AAC3S200 | -20...+15              | 2...10           | 5±1.2       | 3±1.2        | 2±1.2      | 1-3           | 3m capillary  |
| D16T15AAC6S200 | -20...+15              | 2...10           | 5±1.2       | 3±1.2        | 2±1.2      | 1-3           | 6m capillary  |
| D16T15AAC1S200 | -20...+15              | 2...10           | 5±1.2       | 3±1.2        | 2±1.2      | 1-3           | 12m capillary |
| D16T15AAA0S200 | -20...+15              | 2...10           | 5±1.2       | 3±1.2        | 2±1.2      | 1-3           | Ambient       |
| D16T15AAT2S200 | -20...+15              | 2...10           | 5±1.2       | 3±1.2        | 2±1.2      | 1-3           | 2m coiled end |
| D16T15AAB2S200 | -20...+15              | 2...10           | 5±1.2       | 3±1.2        | 2±1.2      | 1-3           | 2m bulb       |

|   |  |                                     |
|---|--|-------------------------------------|
| <br>Eiwel Controls srl<br>IT 32016 Albiago<br>D16T15AAB2SS200<br>D16T Temperature control auto-reset(6980)<br>D16T Temperature control auto-reset(6980) | <br>TA:-40T65 °C<br>Range: -20...-15 °C<br>Nominal Diff: 2...10 °C (adj.)<br>Read instruction sheet before use | Made in China<br>RNYYMMDD-SSSSS<br> |
|   |  |                                     |

D16T Temperature control auto- reset (6980)  
 D16T Температуры авто сброс (6980)  
 Product traceability, date and serial number

**Revision History**

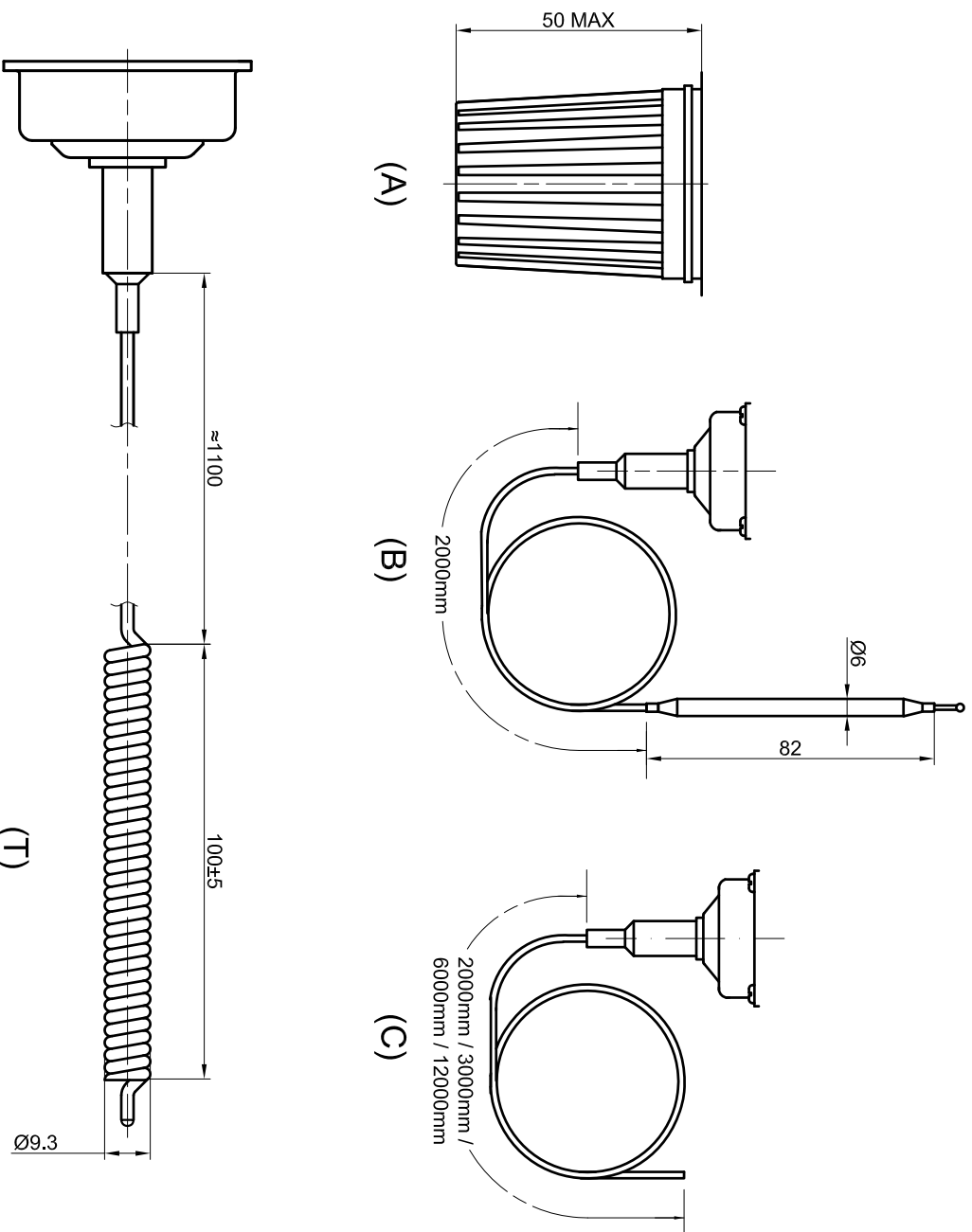
| Cur Prev | Note | Signature | Date |
|----------|------|-----------|------|
|          |      |           |      |
|          |      |           |      |
|          |      |           |      |
|          |      |           |      |
|          |      |           |      |
|          |      |           |      |
|          |      |           |      |
|          |      |           |      |
|          |      |           |      |

**Adjustable Temperature Controls**

**Product code structure**

- Type**
- D**
- Case size**
- 16** Case 80mm
- Product type**
- T** Temperature control
- Temperature range**
- 15** -20...15 °C
- Reset type / differential**
- AA** Auto reset / adjustable differential
- Sensor type**
- A** Ambient
- B** Bulb
- C** Straight capillary
- T** Coiled end
- Capillary length**
- 0** Ambient
- 2** 2m
- 3** 3m
- 6** 6m
- 1** 12m
- Pin contact configuration**
- S** Standard AgNi
- Kit and packaging**
- 2** topcover + knob + instruction sheet
- Customization**
- 00** standard model

**Available pressure connections**



| Revision History |      |           |      |
|------------------|------|-----------|------|
| Curr Prev        | Note | Signature | Date |
|                  |      |           |      |
|                  |      |           |      |
|                  |      |           |      |
|                  |      |           |      |
|                  |      |           |      |
|                  |      |           |      |
|                  |      |           |      |
|                  |      |           |      |
|                  |      |           |      |
|                  |      |           |      |

|                |  |        |         |
|----------------|--|--------|---------|
| D16T15AAXXS200 |  |        |         |
|                |  | Weight | Ratio   |
|                |  |        | 1:1(A3) |

Adjustable  
Temperature  
Controls

|          |      |        |               |
|----------|------|--------|---------------|
| Designer | Date | Page 2 | Total Pages 2 |
| Checked  |      |        |               |
| Verified |      |        |               |
| Approved |      |        |               |