

see next page for available connection variants and accessories

### Specifications

- Type: Auto reset
- Differential: Adjustable
- Configuration: Single
- Contact configuration: SPDT
- Rated current: 1-3 (or 1-5): 16(16)A 240Vac  
1-5 (or 1-3): 1(1)A 240Vac
- Degree of protection: IP44 with top cover  
IP20 without top cover
- Method of mounting control: Independently mounted
- Ambient working temperature: -40T65 °C
- Intended transportation conditions: -40T65 °C, 10-90%RH (non condensing situation)
- Max refrigerant temperature: 120°C

### FACTORY SETTING

Model	PRESSURE RANGE [bar <sub>g</sub> ] / [psi <sub>g</sub> ]	DIFF. RANGE [bar <sub>g</sub> ] / [psi <sub>g</sub> ]	CUT OUT [bar <sub>g</sub> ] / [psi <sub>g</sub> ]	CUT IN [bar <sub>g</sub> ] / [psi <sub>g</sub> ]	DIFF. [bar <sub>g</sub> ] / [psi <sub>g</sub> ]	Use terminals	Max.PS [bar <sub>g</sub> ] / [psi <sub>g</sub> ]	Burst Pressure [bar <sub>g</sub> ] / [psi <sub>g</sub> ]
D16P30A01MS200 D16P30A01CS200	7...31 / 101...450	2...8 / 29...116	20±0.4 / 290±6	15±0.4 / 217±6	5±0.4 / 72±6	1-5	35 / 507	140 / 2030

 Eliwell Controls srl IT 32016 Alpiro	<b>D16P30A01YSS200</b> Д16Р Реле высокого давления автоматический сброс (6750)/(6770)	TA:-40T65 °C PS:35 bar Range:7...31 barg Diff:2...8 bar	 1 0 3 P 1 5
	RN- YVMMD-SSSSS Made In China	1-3(or 1-5): 16(16)A 240Vac 1-5(or 1-3): 1(1)A 240Vac	

D16P High pressure control auto reset (6750)/(6770)  
 Д16Р Реле высокого давления автоматический сброс  
 (6750)/(6770)

Product traceability,  
 date and serial number

Revision History		Signature	Date
Curr Prev	Note		
Designer		Date	
Checked			
Verified			
Approved			

Adjustable  
 HIGH  
 PRESSURE  
 CONTROLS

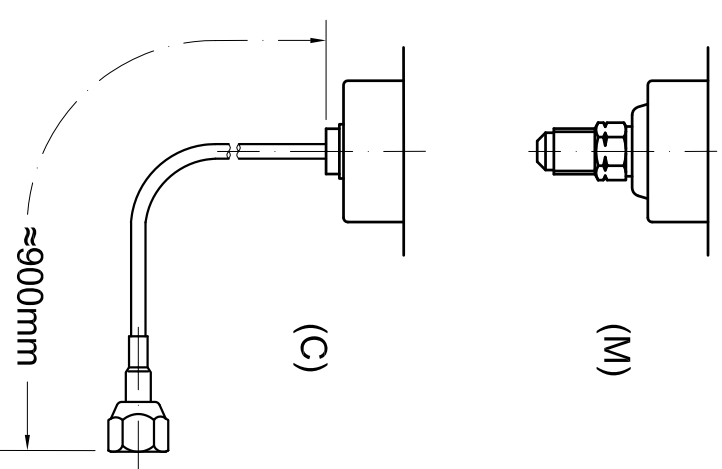
D16P30A01YSS200

Weight	Ratio
Page1	1:1(A3)
Total	

## Product code structure

- Type**
- D**
- Case size**
- 16** Case 80mm
- Product type**
- P** Pressure Switch
- Pressure range (xx)**
- 30** 7...:31 barg
- Reset type**
- A0** Automatic(single switch)
- Product configuration**
- 1** Standard version
- Pressure connection (y)**
- M** 7/16-20UNF
- C** Capillary flare nut
- Pin contact configuration**
- S** Standard AgNi
- Kit and packaging**
- 2** topcover + knob + instruction sheet
- Customization**
- 00** standard model

## Available pressure connections




Revision History		Signature	Date
Curr Prev	Note		
Designer		Date	
Checked			
Verified			
Approved			

Adjustable HIGH PRESSURE CONTROLS		D16P30A01ySS200	
		Weight	Ratio
Page2	Total		
		1:1(A3)	

 by Schneider Electric	
---	--