

see next page for available connection variants and accessories

- Specifications**
- Type: Auto reset
 - Differential: Adjustable
 - Configuration: Single
 - Contact configuration: SPDT
 - Rated current: 1-3 (or 1-5): 16(16)A 240Vac
1-5 (or 1-3): 1(1)A 240Vac
 - Degree of protection: IP44 with top cover
IP20 without top cover
 - Method of mounting control: Independently mounted
 - Ambient working temperature: -40T65 °C
 - Intended transportation conditions: -40T65 °C, 10-90%RH (non condensing situation)
 - Max refrigerant temperature: 120°C

 Eliwell Controls srl IT 32016 Alpiro	D16P20A01YS200 D16P Fan pressure control auto reset D16P реле ограничитель давления конденсации авто сброс	 RN- YNMMDD-SSSSS Made in China	TA: -40T65 °C PS: 35 bar Range: 7...20 barg Diff: 1.5...6 bar	 1-3 (or 1-5): 16(16)A 240Vac 1-5 (or 1-3): 1(1)A 240Vac
---	---	---------------------------------------	--	--

D16P Fan pressure control auto reset
 D16P реле ограничитель давления конденсации авто сброс
 Product traceability, date and serial number

FACTORY SETTING

Model	PRESSURE RANGE [barg] / [psi.g]	DIFF. RANGE [barg] / [psi.g]	CUT OUT [barg] / [psi.g]	CUT IN [barg] / [psi.g]	DIFF. [barg] / [psi.g]	Use terminals	Max.PS [barg] / [psi.g]	Burst Pressure [barg] / [psi.g]
D16P20A01MS200 D16P20A01CS200	7...20 / 101...290	1.5...6 / 22...87	12±0.4 / 174±6	10.5±0.4 / 152±6	1.5±0.4 / 21±6	1-5	35 / 507	100 / 1450

Revision History		Signature	Date
Cur Prev	Note		
Designer			Date
Checked			
Verified			
Approved			

Adjustable FAN PRESSURE CONTROLS

D16P20A01YS200	
Weight	Ratio
Page 1	1: (A3)
Total	

by Schneider Electric

Product code structure

Type

D

Case size

16 Case 80mm

Product type

P Pressure Switch

Pressure range (xx)

20 7...20 barg

Reset type

A0 Automatic(single switch)

Product configuration

1 Standard version

Pressure connection (y)

M 7/16-20UNF

C Capillary flare nut

Pin contact configuration

S Standard AgNi

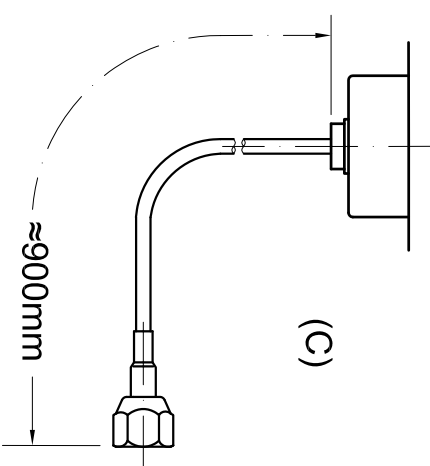
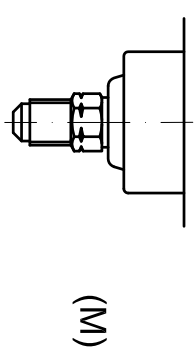
Kit and packaging

2 topcover + knob + instruction sheet

Customization

00 standard model

Available pressure connections



Revision History		Signature	Date
Curr Prev	Note		

Designer	Date	Adjustable FAN PRESSURE CONTROLS
Checked		
Verified		
Approved		

D16P20A01ySS200	
Weight	Ratio
	1:1(A3)
Page2	Total

aiw
by Schneider Electric