

- (1): Common contact
- (1)-(3): Open on pressure rise
- (1)-(5): Open on pressure drop

see next page for available connection variants and accessories

Specifications

- Type: Manual reset
- Differential: Non Adjustable
- Configuration: Single
- Contact configuration: SPDT
- Rated current: 1-3 (or 1-5): 16(16)A 240Vac
1-5 (or 1-3): 1(1)A 240Vac
- Degree of protection: IP30 with top cover
IP20 without top cover
- Method of mounting control: Independently mounted
- Ambient working temperature: -40T65 °C
- Intended transportation conditions: -40T65 °C, 10-90%RH (non condensing situation)
- Max refrigerant temperature: 120°C

FACTORY SETTING

Model	PRESSURE RANGE [bar/g] / [psi/g]	DIFF. RANGE [bar/g] / [psi/g]	CUT OUT [bar/g] / [psi/g]	CUT IN [bar/g] / [psi/g]	DIFF. [bar/g] / [psi/g]	Use terminals	Max.PS [bar/g] / [psi/g]	Burst Pressure [bar/g] / [psi/g]
D16P07M01MS200	-0.3...7 / -4...101	±14	2.0±0.15 / 29±2	±3 / ±43	±14	1-3	17 / 246	80 / 1160

TA:-40T65 °C
PS:17 bar
Range:-0.3...7 barg
Diff:±1 bar

D16P07M01YS200

D16P Low pressure control manual reset (6705)/(6715)
D16P Реле низкого давления ручной сброс (6705)/(6715)

Product traceability, date and serial number

RN- YYMMDD-SSSSS

Made in China

D16P Low pressure control manual reset (6705)/(6715)
D16P Реле низкого давления ручной сброс (6705)/(6715)

Revision History		
Curr Prev	Note	Signature Date

Non Adjustable LOW PRESSURE CONTROLS

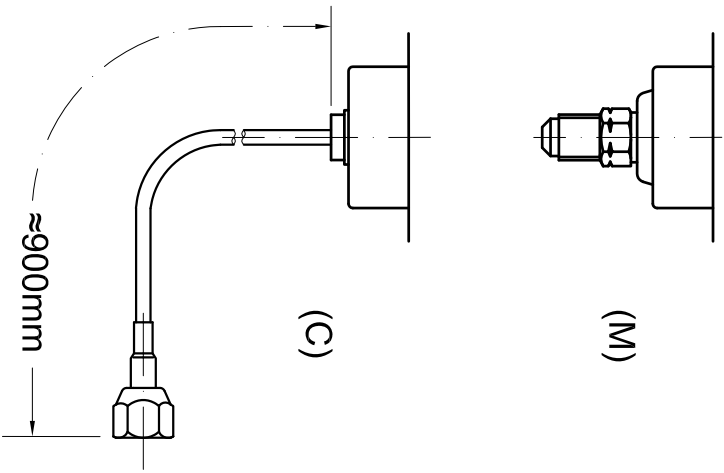
D16P07M01YS200	
Weight	Ratio
	1:1(A3)
Page1	Total



Product code structure

- Type
 - D**
- Case size
 - 16** Case 80mm
- Product type
 - P** Pressure Switch
- Pressure range (xx)
 - 07** -0.3...7 barg
- Reset type
 - M0** Manual(single switch)
- Product configuration
 - 1** Standard version
- Pressure connection (y)
 - M** 7/16-20UNF
 - C** Capillary flare nut
- Pin contact configuration
 - S** Standard AgNi
- Kit and packaging
 - 2** topcover + knob + instruction sheet
- Customization
 - 00** standard model

Available pressure connections



Revision History			Date
Curr Prev	Note	Signature	

<p>Non Adjustable LOW PRESSURE CONTROLS</p>			
Designer	Date	D16P07M01ySS200	
Checked		Weight	Ratio
Verified		1:1(A3)	
Approved		Page2	Total

