

see next page for available connection variants and accessories

**Specifications**

- Type: Auto reset
- Differential: Adjustable
- Configuration: Single
- Contact configuration: SPDT
- Rated current: 1-3 (or 1-5): 16(16)A 240Vac  
1-5 (or 1-3): 1(1)A 240Vac
- Degree of protection: IP44 with top cover  
IP20 without top cover
- Method of mounting control: Independently mounted
- Ambient working temperature: -40T65 °C
- Intended transportation conditions: -40T65 °C, 10-90%RH (non condensing situation)
- Max refrigerant temperature: 120°C

**FACTORY SETTING**

| Model                            | PRESSURE RANGE<br>[bar(g)]/[psi(g)] | DIFF. RANGE<br>[bar(g)]/[psi(g)] | CUT OUT<br>[bar(g)]/[psi(g)] | CUT IN<br>[bar(g)]/[psi(g)] | DIFF.<br>[bar(g)]/[psi(g)] | Use terminals | Max.PS<br>[bar(g)]/[psi(g)] | Burst Pressure<br>[bar(g)]/[psi(g)] |
|----------------------------------|-------------------------------------|----------------------------------|------------------------------|-----------------------------|----------------------------|---------------|-----------------------------|-------------------------------------|
| D16P07A01MS200<br>D16P07A01CS200 | -0.3...7 /<br>-4...101              | 0.6...4 /<br>9...58              | 2.0±0.15 /<br>29±2           | 3.0±0.15 /<br>43±2          | 1.0±0.15 /<br>14±2         | 1-3           | 17 /<br>246                 | 80 /<br>1160                        |

|   |   |  |  |                                  |  |
|---|---|--|--|----------------------------------|--|
| <br>Elwell Controls srl<br>IT 32016 Altoppa | <b>D16P07A01YS200</b><br><small>D16P Low pressure control auto reset (6703)/(6713)<br/>         D16P Реле низкого давления автоматический сброс (6703)/(6713)</small> |  | TA: -40T65 °C<br>PS: 17 bar<br>Range: -0.3...7 barg<br>Diff: 0.6...4 bar | RN- YYMMDD-SSSS<br>Made in China |  |
|---|---|--|--|----------------------------------|--|

D16P Low pressure control auto reset (6703)/(6713)  
 D16P Реле низкого давления автоматический сброс (6703)/(6713)

Product traceability, date and serial number

| Revision History |      | Signature | Date |
|------------------|------|-----------|------|
| Cur Prev         | Note |           |      |
| Designer         |      |           | Date |
| Checked          |      |           |      |
| Verified         |      |           |      |
| Approved         |      |           |      |

**Adjustable  
LOW  
PRESSURE  
CONTROLS**

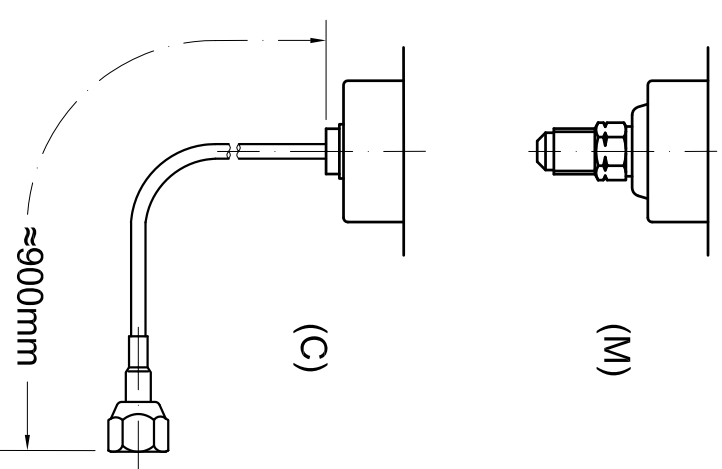
|                |  |         |       |
|----------------|--|---------|-------|
| D16P07A01YS200 |  | Weight  | Ratio |
| Page 1         |  | 1:1(A3) |       |
| Total          |  |         |       |

**Elwell**  
by Schneider Electric

## Product code structure

- Type**
- D**
- Case size**
- 16** Case 80mm
- Product type**
- P** Pressure Switch
- Pressure range (xx)**
- 07** -0.3...7 barg
- Reset type**
- A0** Automatic(single switch)
- Product configuration**
- 1** Standard version
- Pressure connection (y)**
- M** 7/16-20UNF
- C** Capillary flare nut
- Pin contact configuration**
- S** Standard AgNi
- Kit and packaging**
- 2** topcover + knob + instruction sheet
- Customization**
- 00** standard model

## Available pressure connections




| Revision History |      | Signature | Date |
|------------------|------|-----------|------|
| Curr             | Prev | Note      |      |
|                  |      |           |      |
|                  |      |           |      |
|                  |      |           |      |
|                  |      |           |      |
|                  |      |           |      |
| Designer         |      | Date      |      |
| Checked          |      |           |      |
| Verified         |      |           |      |
| Approved         |      |           |      |

|   |  |                 |       |
|---|--|-----------------|-------|
| Adjustable<br>LOW<br>PRESSURE<br>CONTROLS |  | D16P07A01ySS200 |       |
|   |  | Weight          | Ratio |
| Page2                                     |  | Total           |       |
|   |  | 1:1(A3)         |       |

|   |  |
|---|--|
| <br>by Schneider Electric |  |
|---|--|