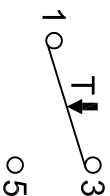


- (1): Common contact
- (1)-(5): Open on temperature rise
- (1)-(3): Open on temperature drop



**Specifications**

- 1.Type: Auto reset
- 2.Differential: Fixed
- 3.Configuration: Single
- 4.Contact configuration: SPDT
- 5.Rated current: 1-3 (or 1-5): 16(16)A 240Vac  
1-5 (or 1-3): 1(1)A 240Vac
- 6.Degree of protection: IP44 with top cover  
IP20 without top cover
- 7.Method of mounting control: Independently mounted
- 8.Ambient working temperature: -40T65 °C
- 9.Intended transportation conditions: -40T65 °C, 10-90%RH (non condensing situation)

Model	TEMPERATURE RANGE [°C]	DIFF. RANGE [°C]	FACTORY SETTING				Use terminals	Sensor type
			CUT IN [°C]	CUT OUT [°C]	DIFF. [°C]			
D15T25AF A0S400	-10...+25	5	3±1.2	-2±1.2	5±1.2		1-3	Ambient

 <small>Small Contacted IT 22016 Alps99</small>	<b>D15T25AF A0S400</b> <small>D15T Temperature control auto- reset D15T Tepmocratny avto c6poc</small>		<b>Product traceability, date and serial number</b> 	<small>TA:-40T65°C Range: -10...25°C Nominal Diff: 5±1.2°C Read Instruction sheet before use</small>	<small>Made in China</small> 
--	---	--	---	--	----------------------------------

D15T Temperature control auto- reset  
D15T Tepmocratny avto c6poc

**Revision History**

Cur Prev	Note	Signature	Date

**Fixed  
Temperature  
Controls**

D15T25AF A0S400

Weight Ratio

1:1(A3)

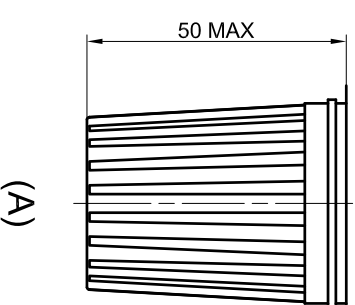
Page 1 Total Pages 2



**Product code structure**

- Type
  - D
- Case size
  - 15 Case 68mm
- Product type
  - T Temperature control
  - Temperature range
    - 25 -10...25 °C
- Reset type / differential
  - AF Auto reset / fixed differential
- Sensor type
  - A Ambient
- Capillary length
  - 0 Ambient
- Pin contact configuration
  - S Standard AgNi
- Kit and packaging
  - 4 1 instruction sheet into bulk
- Customization
  - 00 standard model

**Available pressure connections**




Revision History		Signature	Date
Curr	Prev	Note	
Designer		Date	
Checked			
Verified			
Approved			

<b>Fixed Temperature Controls</b>		D15T25AF A0S400	
		Weight	Ratio
			1:1(A3)
Page 2	Total Pages 2		

 by Schneider Electric	
---	--