

- (1): Common contact
- (1)-(5): Open on temperature rise
- (1)-(3): Open on temperature drop

see next page for available connection variants and accessories

- Specifications**
1. Type: Auto reset
 2. Differential: Adjustable
 3. Configuration: Single
 4. Contact configuration: SPDT
 5. Rated current: 1-3 (or 1-5): 16(16)A 240Vac
1-5 (or 1-3): 1(1)A 240Vac
 6. Degree of protection: IP44 with top cover
IP20 without top cover
 7. Method of mounting control: Independently mounted
 8. Ambient working temperature: -40T65 °C
 9. Intended transportation conditions: -40T65 °C, 10-90%RH (non condensing situation)

Model	TEMPERATURE RANGE [°C]	DIFF. RANGE [°C]	FACTORY SETTING				Use terminals	Sensor type
			CUT IN [°C]	CUT OUT [°C]	DIFF. [°C]			
D15T25AAA0S400	-10...+25	5...10	3±1.2	-2±1.2	5±1.2		1-3	Ambient
D15T25AAC2S400	-10...+25	5...10	3±1.2	-2±1.2	5±1.2		1-3	2m capillary
D15T25AAC3S400	-10...+25	5...10	3±1.2	-2±1.2	5±1.2		1-3	3m capillary
D15T25AA1T2S400	-10...+25	5...10	3±1.2	-2±1.2	5±1.2		1-3	2m coiled end
D15T25AAB2S400	-10...+25	5...10	3±1.2	-2±1.2	5±1.2		1-3	2m bulb

Electrical Controls srl
P.le Sestini 15/A Spigo

D15T25AAXXS400
D15T Temperature control auto- reset
D15T Temperature control auto- reset

CE ENEC 15
20

Made in China

RN: (YYMMDD)SSSS

TA: -40T65°C
Range: -10...25°C
Nominal Diff: 5...10 °C (adj)
Read instruction sheet before use

1 0 3
T
05

D15T Temperature control auto- reset
D15T Tepmocratpъ avтo cбпoc

Product traceability,
date and serial number

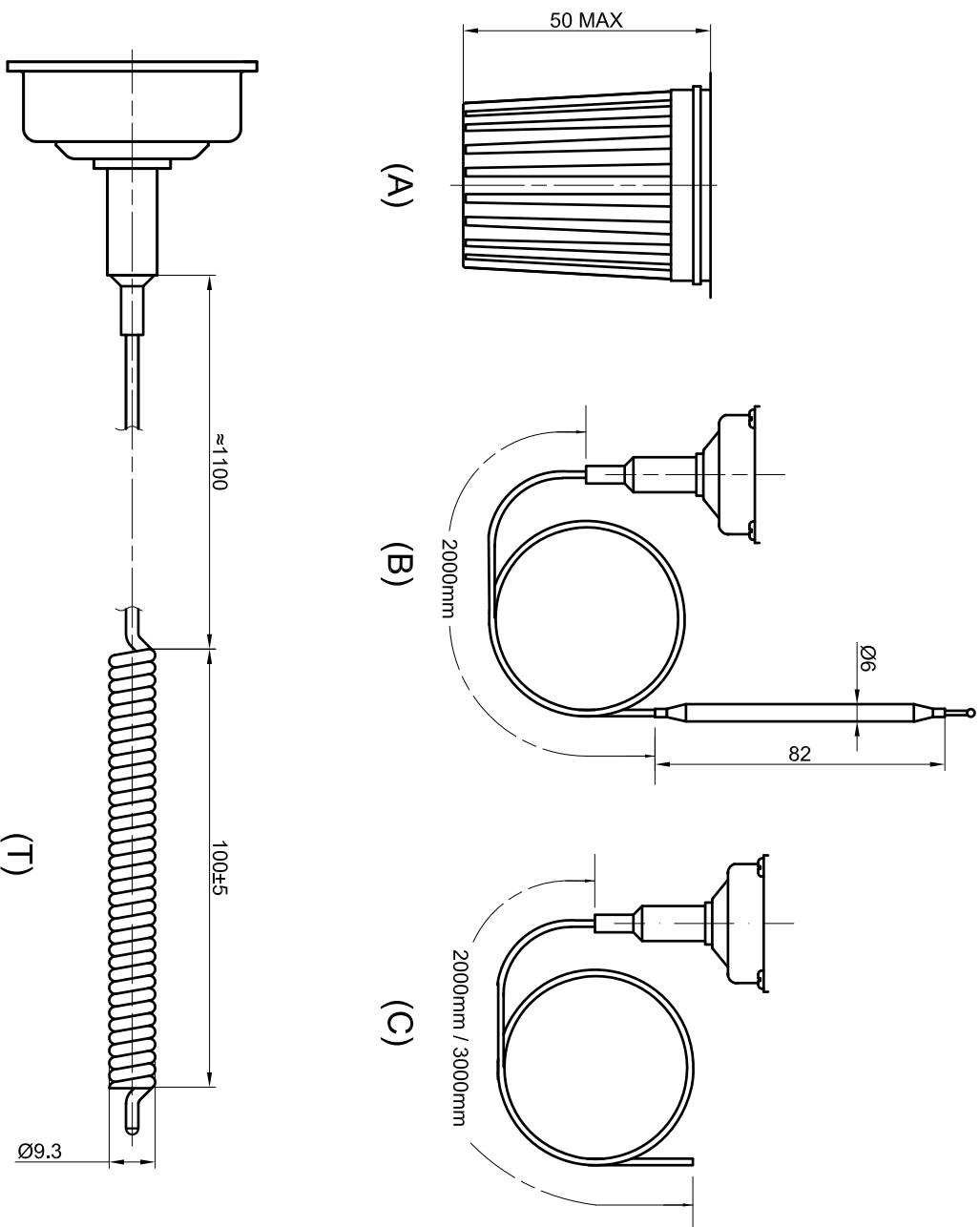
Revision History			
Curr Prev	Note	Signature	Date

Adjustable
Temperature
Controls

Product code structure

- Type**
D
- Case size**
15 Case 68mm
- Product type**
T Temperature control
- Temperature range**
25 -10...25 °C
- Reset type / differential**
AA Auto reset / adjustable differential
- Sensor type**
A Ambient
B Bulb
C Straight capillary
T Coiled end
- Capillary length**
0 Ambient
2 2m
3 3m
- Pin contact configuration**
S Standard AgNI
- Kit and packaging**
4 1 instruction sheet into bulk
- Customization**
00 standard model

Available pressure connections



Revision History		
Curr Prev	Note	Signature Date

D15T25AAXXS400

Designer	Date
Checked	
Verified	
Approved	

Weight	Ratio
	1:1(A3)

**Adjustable
Temperature
Controls**