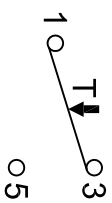


- (1) : Common contact
- (1)-(5) : Open on temperature rise
- (1)-(3) : Open on temperature drop



see next page for available connection variants and accessories

Specifications

- 1.Type: Auto reset
- 2.Differential: Adjustable
- 3.Configuration: Single
- 4.Contact configuration: SPDT
- 5.Rated current: 1-3 (or 1-5): 16(16)A 240Vac
1-5 (or 1-3): 1(1)A 240Vac
- 6.Degree of protection: IP20 with top cover
IP20 without top cover
- 7.Method of mounting control: Independently mounted
- 8.Ambient working temperature: -40T65 °C
- 9.Intended transportation conditions: -40T65 °C, 10-90%RH (non condensing situation)

FACTORY SETTING

Model	TEMPERATURE RANGE [°C]	DIFF RANGE [°C]	CUT IN [°C]	CUT OUT [°C]	DIFF. terminals	Use	Sensor type
D15T15AAC2S400	-20...+15	2...10	5±1.2	3±1.2	2±1.2	1-3	2m capillary
D15T15AAC3S400	-20...+15	2...10	5±1.2	3±1.2	2±1.2	1-3	3m capillary
D15T15AAC6S400	-20...+15	2...10	5±1.2	3±1.2	2±1.2	1-3	6mcapillary
D15T15AAC1S400	-20...+15	2...10	5±1.2	3±1.2	2±1.2	1-3	12m capillary
D15T15AAA0S400	-20...+15	2...10	5±1.2	3±1.2	2±1.2	1-3	Ambient
D15T15AAT2S400	-20...+15	2...10	5±1.2	3±1.2	2±1.2	1-3	2m coiled
D15T15AAB2S400	-20...+15	2...10	5±1.2	3±1.2	2±1.2	1-3	2m bulb

D15T15AAXXS400
D15T Temperature control auto-reset
D15T Tepmocrarы avro cбpoc

TA: -40T65 °C
Range: -20...+15 °C
Nominal Diff: 2...10 °C (ed.3)
Read instruction sheet before use

CE ENEC 2015

Made in China

RN-YYMMDD-SSSSSS

Product traceability, date and serial number

1 0 3
T
0 5

D15T Temperature control auto- reset
D15T Tepmocrarы avro cбpoc

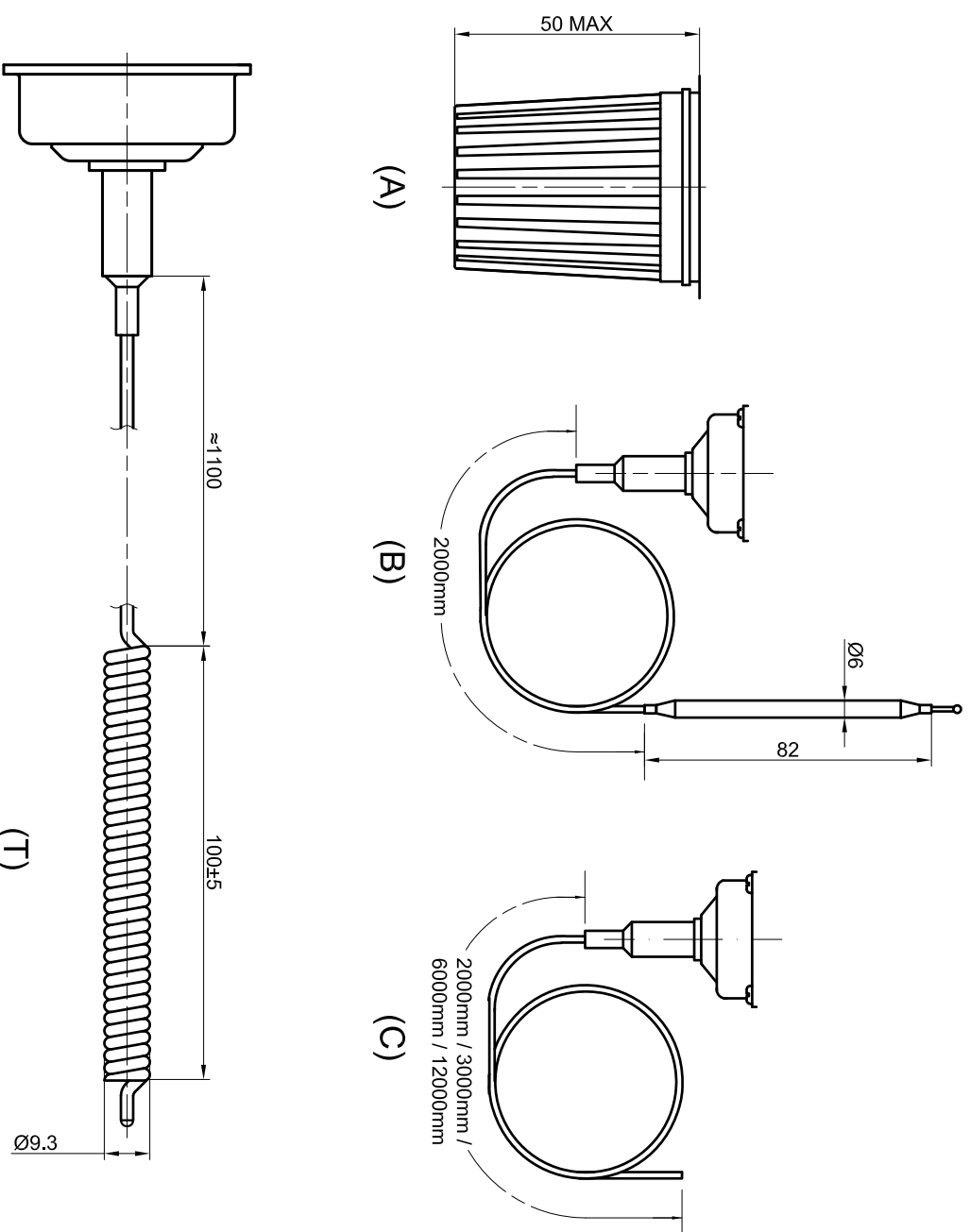
Product traceability,
date and serial number

Revision History		
Cur Prev	Note	Signature Date

Product code structure

- Type**
 - D**
- Case size**
 - 15** Case 68mm
- Product type**
 - T** Temperature control
- Temperature range**
 - 15** -20...15 °C
- Reset type / differential**
 - AA** Auto reset / adjustable differential
- Sensor type**
 - A** Ambient
 - B** Bulb
 - C** Straight capillary
 - T** Coiled end
- Capillary length**
 - 0** Ambient
 - 2** 2m
 - 3** 3m
 - 6** 6m
 - 1** 12m
- Pin contact configuration**
 - S** Standard AgNi
- Kit and packaging**
 - 4** 1 instruction sheet into bulk
- Customization**
 - 00** standard model

Available pressure connections



Revision History

Curr Prev	Note	Signature	Date

Designner	Date

D15T15AAXXS400

Weight Ratio

1:-(A3)

Page 2 Total Pages 2

Adjustable
Temperature
Controls

elw
by Schneider Electric