

- (1): Common contact
- (1)-(3): Open on pressure rise
- (1)-(5): Open on pressure drop

see next page for available connection variants and accessories

Specifications

- Type: Auto reset
- Differential: Adjustable
- Configuration: Single
- Contact configuration: SPDT
- Rated current: 1-3 (or 1-5): 16(16)A 240Vac
1-5 (or 1-3): 1(1)A 240Vac
- Degree of protection: IP44 with top cover
IP20 without top cover
- Method of mounting control: Independently mounted
- Ambient working temperature: -40T65 °C
- Intended transportation conditions: -40T65 °C, 10-90%RH (non condensing situation)
- Max refrigerant temperature: 120°C

FACTORY SETTING

Model	PRESSURE RANGE [bar _g] / [psi _g]	DIFF. RANGE [bar _g] / [psi _g]	CUT OUT [bar _g] / [psi _g]	CUT IN [bar _g] / [psi _g]	DIFF. [bar _g] / [psi _g]	Use terminals	Max.PS [bar _g] / [psi _g]	Burst Pressure [bar _g] / [psi _g]
D15P30A01MS400 D15P30A01CS400	7...31 / 101...450	2...8 / 29...116	20±0.4 / 290±6	15±0.4 / 217±6	5±0.4 / 72±6	1-5	35 / 507	140 / 2030

Eliwell Controls srl IT 32016 Albiago	D15P30A01YS400 D15P High pressure control auto reset D15P Пере высокого давления автоматический сброс
	RN- YYMMDD-SSSSS Made in China
TA:-40T65 °C PS:35 bar Range:7...31 bar Diff:2...8 bar	

D15P High pressure control auto reset
D15P Пере высокого давления автоматический сброс
Product traceability,
date and serial number

Revision History		Signature	Date
Curr Prev	Note		
Designer		Date	
Checked			
Verified			
Approved			

Adjustable
HIGH
PRESSURE
CONTROLS

D15P30A01YS400	
Page1	Total
Weight	Ratio
	1:1(A3)

Product code structure

Type

D

Case size

15 Case 68mm

Product type

P Pressure Switch

Pressure range (xx)

30 7...:31 barg

Reset type

A0 Automatic(single switch)

Product configuration

1 Standard version

Pressure connection (y)

M 7/16-20UNF

C Capillary flare nut

Pin contact configuration

S Standard AgNi

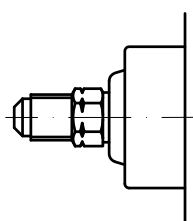
Kit and packaging

4 1 instruction sheet into bulk

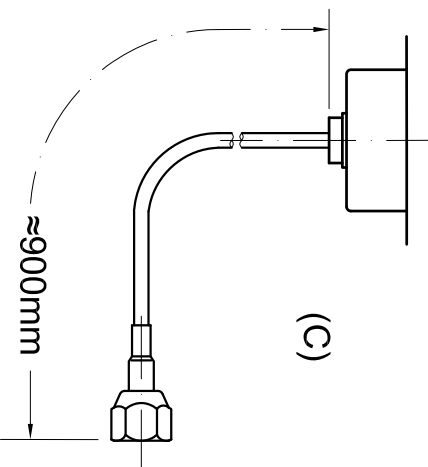
Customization

00 standard model

Available pressure connections



(M)



(C)

≈900mm

Revision History		
Curr Prev	Note	Signature Date

Designer	Date
Checked	
Verified	
Approved	

**Adjustable
HIGH
PRESSURE
CONTROLS**

D15P30A01YS400	
Weight	Ratio
	1:1(A3)
Page2	Total