

see next page for available connection variants and accessories

- Specifications**
- Type: Auto reset
 - Differential: Adjustable
 - Configuration: Single
 - Contact configuration: SPDT
 - Rated current: 1-3 (or 1-5): 16(16)A 240Vac
1-5 (or 1-3): 1(1)A 240Vac
 - Degree of protection: IP44 with top cover
IP20 without top cover
 - Method of mounting control: Independently mounted
 - Ambient working temperature: -40T65 °C
 - Intended transportation conditions: -40T65 °C, 10-90%RH (non condensing situation)
 - Max refrigerant temperature: 120°C

 Eliwell Controls srl IT 32016 Alpiro	D15P20A01YS400 D15P Fan pressure control auto reset D15P реле ограничения давления конденсации авто сброс	TA: -40T65 °C PS: 35 bar Range: 7...20 barg Diff: 1.5...6 bar	 RN- YMMDD-SSSSS Made In China	
---	--	--	--------------------------------------	--

D15P Fan pressure control auto reset
 D15P реле ограничения давления конденсации авто сброс
 Product traceability,
 date and serial number

FACTORY SETTING

Model	PRESSURE RANGE [bar _g] / [psi _g]	DIFF. RANGE [bar _g] / [psi _g]	CUT OUT [bar _g] / [psi _g]	CUT IN [bar _g] / [psi _g]	DIFF. [bar _g] / [psi _g]	Use terminals	Max.PS [bar _g] / [psi _g]	Burst Pressure [bar _g] / [psi _g]
D15P20A01MS400 D15P20A01CS400	7...20 / 101...290	1.5...6 / 22...87	12±0.4 / 174±6	10.5±0.4 / 152±6	1.5±0.4 / 22±6	1-5	35 / 507	100 / 1450

Revision History		
Curr Prev	Note	Signature / Date

**Adjustable
FAN
PRESSURE
CONTROLS**

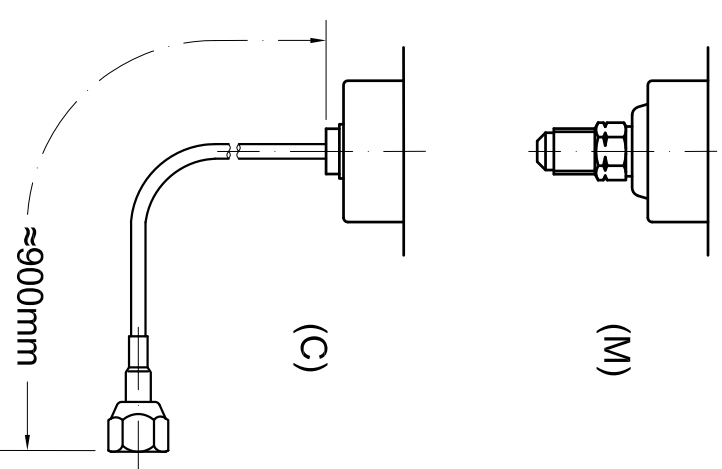
D15P20A01YS400	
Weight	Ratio
Page1	Total
1:1(A3)	1:1(A3)

Eliwell
by Schneider Electric

Product code structure


- Type**
- D**
- Case size**
- 15** Case 68mm
- Product type**
- P** Pressure Switch
- Pressure range (xx)**
- 20** 7...20 barg
- Reset type**
- A0** Automatic(single switch)
- Product configuration**
- 1** Standard version
- Pressure connection (y)**
- M** 7/16-20UNF
- C** Capillary flare nut
- Pin contact configuration**
- S** Standard AgNi
- Kit and packaging**
- 4** 1 instruction sheet into bulk
- Customization**
- 00** standard model

Available pressure connections



Revision History		Signature	Date
Curr Prev	Note		
Designer		Date	
Checked			
Verified			
Approved			

Adjustable FAN PRESSURE CONTROLS		D15P20A01YS400	
		Weight	Ratio
Page2	Total		

 by Schneider Electric	
---	--