

- (1) : Common contact
- (1)-(3) : Open on pressure rise
- (1)-(5) : Open on pressure drop

see next page for available connection variants and accessories

Specifications

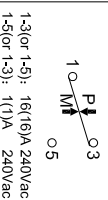
- Type: Manual reset
- Differential: Non Adjustable
- Configuration: Single
- Contact configuration: SPDT
- Rated current: 1-3 (or 1-5): 16(16)A 240Vac
1-5 (or 1-3): 1(1)A 240Vac
- Degree of protection: IP30 with top cover
IP20 without top cover
- Method of mounting control: Independently mounted
- Ambient working temperature: -40T65 °C
- Intended transportation conditions: -40T65 °C, 10-90%RH (non condensing situation)
- Max refrigerant temperature: 120°C

FACTORY SETTING

Model	PRESSURE RANGE [bar/g] / [psi/g]	DIFF. RANGE [bar/g] / [psi/g]	CUT OUT [bar/g] / [psi/g]	CUT IN [bar/g] / [psi/g]	DIFF. [bar/g] / [psi/g]	Use terminals	Max.PS [bar/g] / [psi/g]	Burst Pressure [bar/g] / [psi/g]
D15P07M01MS400	-0.3...7 / -4...101	≤1 / ≤14	2.0±0.15 / 29±2	≤3 / ≤43	≤1 / ≤14	1-3	17 / 246	80 / 1160
D15P07M01CS400								

 Elwell Controls srl 17320 Tor Albaro	D15P07M01YS400 D15P Low pressure control manual reset D15P Реле низкого давления ручной сброс	 TA: -40T65 °C PS: 17 bar Range: -0.3...7 barg Diff: ≤1 bar	RN- YYMMDD-SSSSS Made in China
---	--	---	-----------------------------------

D15P Low pressure control manual reset
 D15P Реле низкого давления ручной сброс
 Product traceability,
 date and serial number



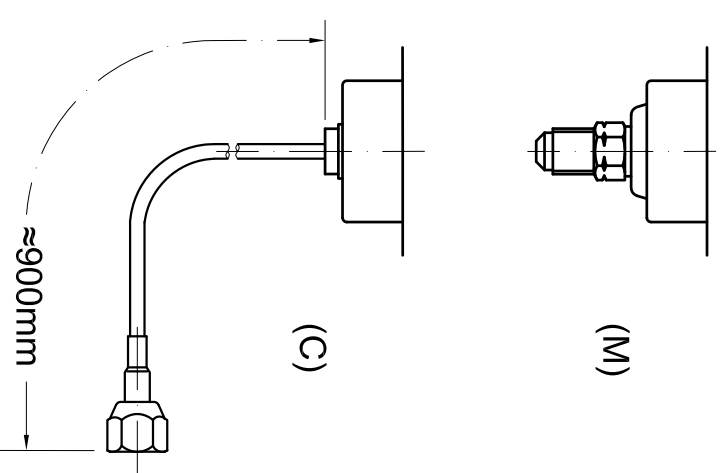
Revision History		
Curr Prev	Note	Signature Date

Non Adjustable LOW PRESSURE CONTROLS	D15P07M01YS400	
	Weight	Ratio
	Page 1	Total

Product code structure

- Type**
- D**
- Case size**
- 15** Case 68mm
- Product type**
- P** Pressure Switch
- Pressure range (xx)
- 07** -0.3...7 barg
- Reset type**
- M0** Manual(single switch)
- Product configuration**
- 1** Standard version
- Pressure connection (y)**
- M** 7/16-20UNF
- C** Capillary flare nut
- Pin contact configuration**
- S** Standard AgNi
- Kit and packaging**
- 4** 1 instruction sheet into bulk
- Customization**
- 00** standard model

Available pressure connections



Revision History			
Curr	Prev	Note	Signature Date

Designer	Date	<p style="text-align: center;">Non Adjustable LOW PRESSURE CONTROLS</p>	<p style="text-align: center;">D15P07M01yS400</p>
Checked			
Verified			
Approved			

Weight		Ratio	
Page2		Total	

AIW
by Schneider Electric